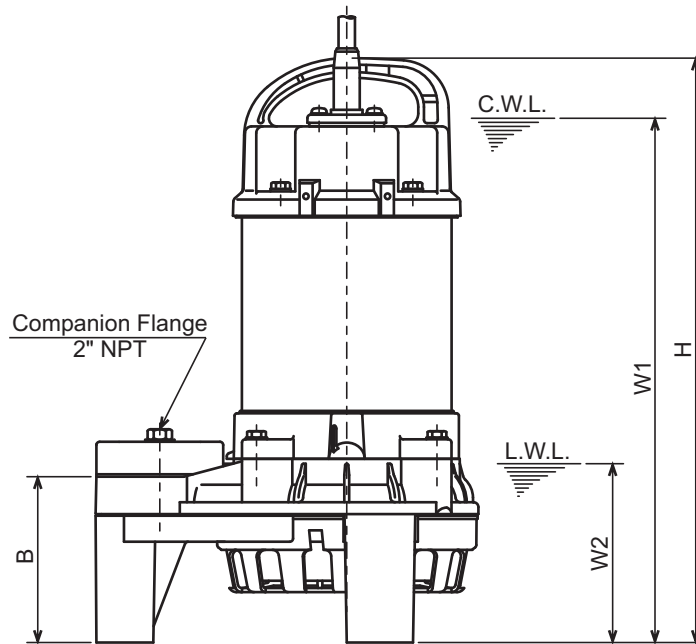
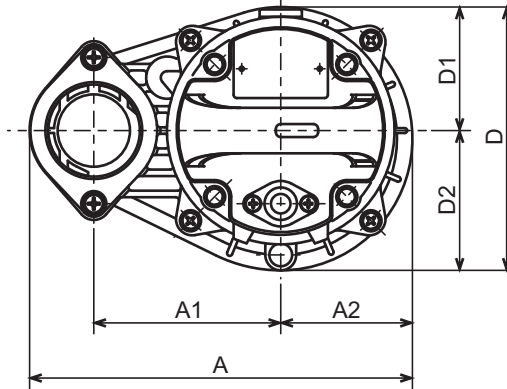




**VANCS - SERIES - TM**  
**(FRP) SEMI-VORTEX - SEAWATER PUMPS**

**DIMENSIONS**

- 50TM2.25S-63
- 50TM2.25-63
- 50TM2.4S-63
- 50TM2.4-63
- 50TM2.75S-63
- 50TM2.75-63



C.W.L. :Continuous running Water Level  
L.W.L. :Lowest running Water Level

**DIMENSIONS:USCS (Inch)**

Model	HP	NOM. SIZE	Pump & Motor								C.W.L. W1	L.W.L. W2	Wt. (lbs.)
			A	A1	A2	B	D	D1	D2	H			
50TM2.25S-63	1/3	2"	9 5/16	4 1/2	3 3/16	4	6 3/8	3	3 3/8	14 3/16	12 3/4	4 3/8	14.8
50TM2.25-63	1/3	2"	9 5/16	4 1/2	3 3/16	4	6 3/8	3	3 3/8	13 3/4	12 1/4	4 3/8	12.6
50TM2.4S-63	1/2	2"	9 5/16	4 1/2	3 3/16	4	6 3/8	3	3 3/8	14 3/16	12 3/4	4 3/8	14.8
50TM2.4-63	1/2	2"	9 5/16	4 1/2	3 3/16	4	6 3/8	3	3 3/8	14 3/16	12 3/4	4 3/8	14.5
50TM2.75S-63	1	2"	9 5/16	4 1/2	3 3/16	4	6 3/8	3	3 3/8	14 15/16	13 5/8	4 3/8	18.5
50TM2.75-63	1	2"	9 5/16	4 1/2	3 3/16	4	6 3/8	3	3 3/8	14 3/4	13 1/4	4 3/8	17.2

**DIMENSIONS:METRIC (mm)**

Model	kW	NOM. SIZE	Pump & Motor								C.W.L. W1	L.W.L. W2	Wt. (kg)
			A	A1	A2	B	D	D1	D2	H			
50TM2.25S-63	0.25	50	236	115	81	102	162	76	86	360	325	110	6.7
50TM2.25-63	0.25	50	236	115	81	102	162	76	86	349	310	110	5.7
50TM2.4S-63	0.40	50	236	115	81	102	162	76	86	360	325	110	6.7
50TM2.4-63	0.40	50	236	115	81	102	162	76	86	360	325	110	6.6
50TM2.75S-63	0.75	50	236	115	81	102	162	76	86	380	345	110	8.4
50TM2.75-63	0.75	50	236	115	81	102	162	76	86	374	335	110	7.8

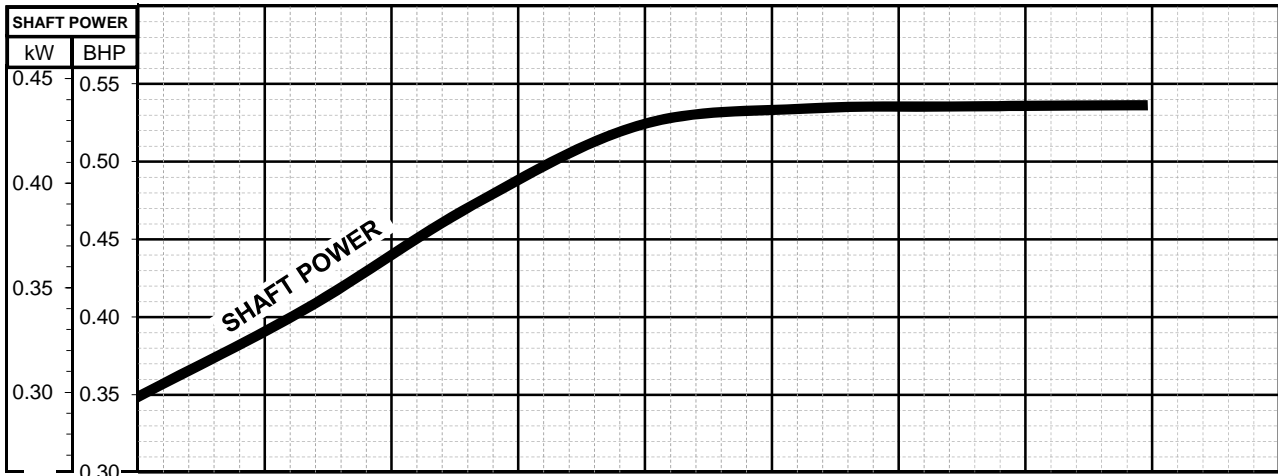
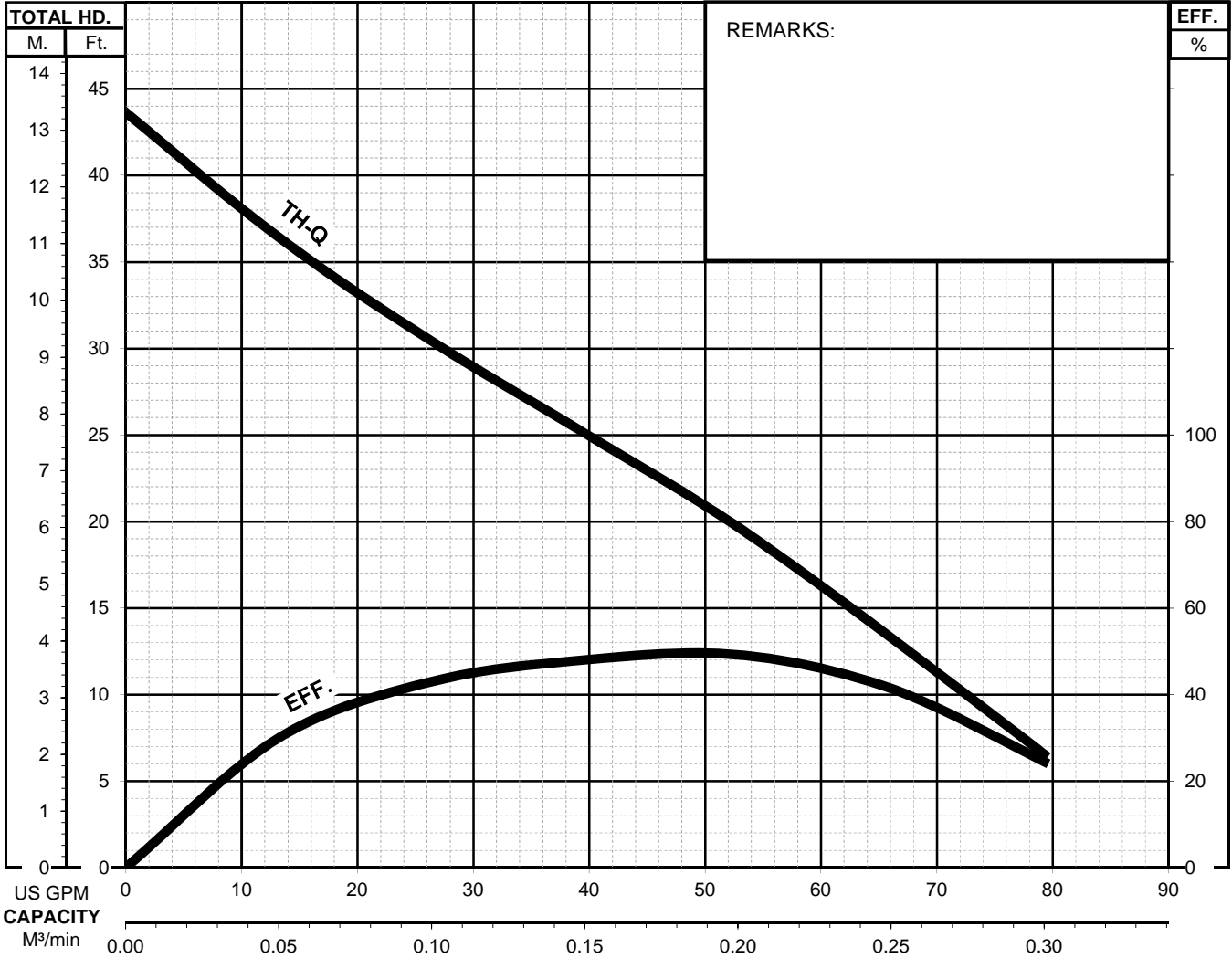


# VANCS - SERIES - TM

(FRP) SEMI-VORTEX - SEAWATER PUMPS

PERFORMANCE  
CURVE

MODEL		BORE	HP	kW	RPM	SOLIDS DIA.	LIQUID	SG.	VISCOSITY	TEMP.
50TM(A)2.4-63		2"/50mm	0.54	0.40	3399	0.394"/10mm	Water	1.0	1.123cSt.	60°F
PUMP TYPE		PHASE	VOLTAGE		AMPERAGE		HZ	STARTING METHOD		INS. CLASS
Semi-Vortex - Seawater Pump		3	208-220 / 460		2.1-2.0 / 0.95		60	Direct On Line		E
CURVE No.	DATE	PHASE	VOLTAGE		AMPERAGE		HZ	STARTING METHOD		INS. CLASS
-	-	-	-		-		-	-		-



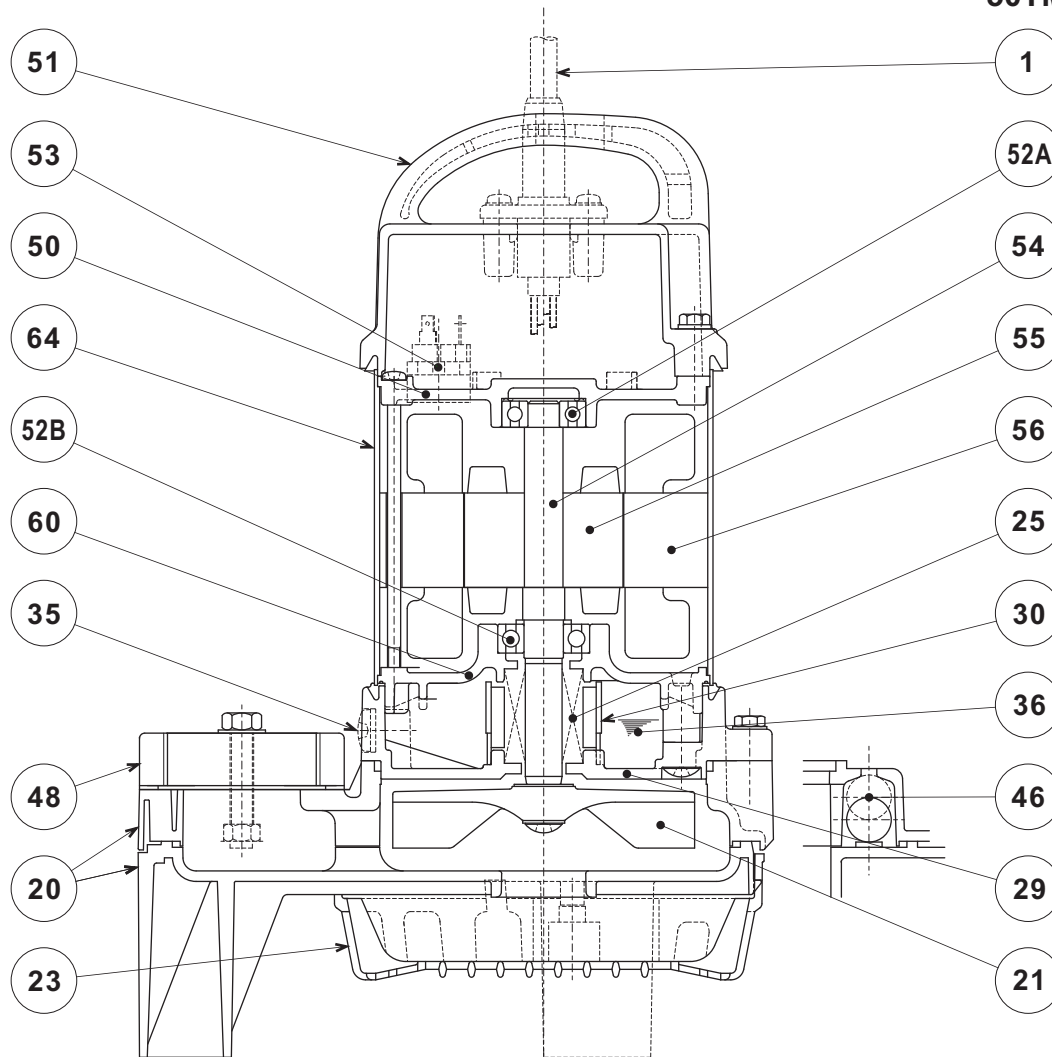


## VANCS - SERIES - TM

(FRP) SEMI-VORTEX - SEA WATER PUMPS

## SECTIONAL VIEW

50TM2.25-63  
50TM2.4-63  
50TM2.75-63



PART#	DESCRIPTION	MAIN MATERIAL / NOTE	RELATED ASTM, AISI CODE	RELATED EN CODE	QTY
1	Power Cable	PVC Sheath AWG16/4-32ft			1
20	Pump Casing	ABS Plastic w/GF20			1
21	Impeller	PPO Plastic w/GF20			1
23	Suction Strainer	ABS Plastic			1
25	Mechanical Seal	Silicon Carbide / W-14HL			1
29	Oil Casing	PPS Plastic w/GF40			1
30	Oil Lifter	PBT Plastic			1
35	Oil Plug	Titanium			1
36	Lubricant	White Mineral Oil ISO VG32			
46	Air Valve	Glass Ball			1
48	Companion Flange	PBT Plastic w/GF30 / NPT 2"			1
50	Motor Bracket	Aluminum Alloy Die Casting	B85 383.0	EN 1706 AC-46100	1
51	Motor Head Cover	PPS Plastic w/GF40			1
52A	Upper Bearing	#6201ZZC3			1
52B	Lower Bearing	#6302ZZC3			1
53	Motor Protector				1
54	Shaft	Titanium			1
55	Rotor				1
56	Stator				1
60	Bearing Housing	Aluminum Alloy Die Casting	B85 383.0	EN 1706 AC-46100	1
64	Motor Housing	Titanium			1

PARTS LIST		TITANIUM WASTEWATER PUMP			2/15/2018	
ITEM	PART No.	DESCRIPTION	QTY	SIZE	MATERIAL	NOTES
1	001-912-36	Cabtyre Cable Set (32') 60Hz (USA)	1	VCT4Cx1.25mm2	TMT	
2	143-000-37	Hex.Tapping Screw	2	M5x20	Titanium	
3	003-100-26	Gland	1	LB/TM	Titanium	
4	143-085-34	Pan Screw (w/Spring Washer)	1	M4x6	C3604	
5	009-207-19	Earth Terminal	1Set	AWG16x175L(CEE)		
6	051-000-46	Head Cover	1		Resin	
7	140-000-15	Hex.Bolt (w/Plain Washer)	4	M6x30(22L)	Titanium	
8	122-004-18	O-Ring	4	P-6(5.8xd1.9)	NBR	*
9	143-000-04	Pan Screw	4	M5x118(20L)	SWRM	
10	053-446-19	Motor Protector 208/220V-60Hz(USA)	1	KA311-DAVL66	(T)	
10	053-354-19	Motor Protector 460V-60Hz(USA)	1	KA311-DPVL74	(T)	
11	143-136-15	Truss Screw	2	M4x10	SWRM	
12	050-000-02	Motor Bracket	1		ADC	
13	121-471-17	Packing	1	d126.6xd135.6x6t	NBR	*
14	056-000-42	Stator(w/M.Frame) 208/220V-60Hz(USA)	1Set			
14	056-000-83	Stator(w/M.Frame) 460V-60Hz(USA)	1Set			
15	071-000-01	Collar	1	37L	SECC	
16	142-192-16	Wave Washer	1	6201(D=32,t=0.4)	SK5	
17	052-100-15	Bearing	1	6201ZZC3		
18	055-000-26	Rotor	1Set	w/Bearing		
19	061-157-15	Bearing Collar	1	d15.1xd21x1.6t	SPCC	
20	052-101-16	Bearing	1	6202ZZC3		
21	060-001-37	Bearing Housing	1		ADC	
22	025-290-19	Mechanical Seal	1	W-14HL	SSiC	
23	030-000-01	Oil Lifter	1	VANCS2	Resin	
24	121-001-12	Packing	1	VANCS2	NBR	*
25	035-128-16	Oil Plug	1	M10x15	Titanium	
26	121-246-11	Packing	1	d10.3xd16x2t	PE	*
27	140-000-11	Hex.Bolt (w/Plain Washer)	4	M6x25	Titanium	
28	029-000-95	Oil Casing	1	VANCS2	Resin	
29	143-000-08	Truss Screw (w/O-Ring)	4	M6x20(P-5,NBR)	Titanium	
30	142-360-17	Impeller Fixing Washer	1	d11.2xd22.5x0.8t	Titanium	
31	021G2629	Impeller (60Hz)	1	50TM2.4-62	Resin	
32	143-140-25	Truss Screw (w/Plain Washer)	1	M6x12	Titanium	
33	122-000-07	O-Ring	1	122xd3.0	NBR	*
34	140-000-12	Hex.Bolt (w/Plain Washer)	2	M8x45	Titanium	
35	048-274-18	Screwed Flange	1	NPT-2(P.C.90)	Resin	
36	121-469-12	Packing	1	P.C.90xd58x2t	NR	*
37	020-000-07	Pump Casing	1	(40/50)TM.25/.4/.75	Resin	

PARTS LIST		TITANIUM WASTEWATER PUMP				2/15/2018
ITEM	PART No.	DESCRIPTION	QTY	SIZE	MATERIAL	NOTES
38	023-000-01	Strainer	1	(40/50)PN/TM/TQ2. 25/.4/.75	Resin	
39	143-000-11	Truss Tapping Screw	2	M4x18	Titanium	
	173-000-07	<b>Packing O-Ring Set</b>	1Set	(Marked by *)		
8	122-004-18	O-Ring (Head Cover Fixing Bolt)	4	P-6(5.8xd1.9)	NBR	*
13	121-471-17	Packing (Head Cover/M.Frame)	1	d126.6xd135.6x6t	NBR	*
24	121-001-12	Packing (M.Frame/O.Casing)	1	VANCS2	NBR	*
26	121-246-11	Packing (Oil Plug)	1	d10.3xd16x2t	PE	*
29	122-003-17	O-Ring (P.Casing Fixing Screw)	4	P-5(4.8xd1.9)	NBR	*
33	122-000-07	O-Ring (O.Casing/P.Casing)	1	122xd3.0	NBR	*
36	121-469-12	Packing (Screwed Flange)	1	P.C.90xd58x2t	NR	*
		Lubricant		Liquid Paraffin VG32 240ml		

PARTS LIST		TITANIUM WASTEWATER PUMP			2/15/2018	
ITEM	PART No.	DESCRIPTION	QTY	SIZE	MATERIAL	NOTES

## EXPLODED VIEW

50TM2. 25-53/63 50TM2. 25-52/62  
 50TM2. 4-53/63 50TM2. 4-52/62  
 50TM2. 75-53/63 50TM2. 75-52/62

